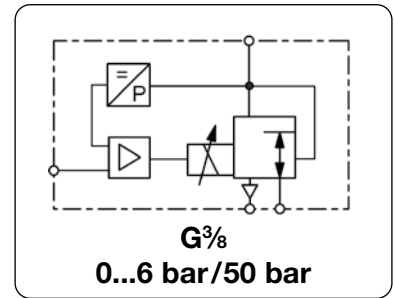


Description	The pneumatic proportional regulator controls the outlet pressure in proportion to an electrical command input signal. It comprises a complete closed loop servo system in a compact mono block assembly with proportional solenoid valve, electronic regulator and internal pressure transducer. The valve works as a slide valve and is designed for flow applications such as thermal cutting. The digital control system offers advantages at installation and commissioning for adapting the valve to special applications. The regulator can be set and optimised using a PC, PR adapter and software. Data record can be saved and used for further valves. The valve has a constant bleed. At absence of input signal or supply voltage the valve exhausts.		
Software	Display: signal, outlet pressure, PID parameters, pressure switch signal etc.		
Scope function	view setpoint, outlet pressure, internal signals from PID control		
Media	dry, lubricated, unlubricated and 50 µm filtered compressed air or non-corrosive gases		
Supply voltage	24 V DC ± 10 V, residual ripple < 10%	Power consumption	14 W (810mA current consumption)
Signal range	0-10 V, 100 kΩ impedance	0/4-20 mA, 250 Ω impedance	
Electr. connection	plug M12x1, 5-pin (protection class IP65)	Mounting position	any, preferably solenoid on top
Accuracy	hysteresis: 0.5% FS	Linearity/repeatability	< ± 0.5% FS
Temp. range	fluid / ambient: 0 °C to 60 °C / 32 °F to 140 °F	Material	Body: aluminium Elastomer: NBR/Buna-N



Dimensions			Nominal size	K _v -value	Flow rate	Supply max.	Connection thread	Pressure range	Order number	E*
A	B	C	DN	(m ³ /h)	l/min*1	bar	G	bar		

Proportional pressure regulator										0-10 V command signal, supply voltage 24 V DC, without M12 coupling socket	PF
60	160	78	8	1,45	1700	12	G ³ / ₈	0 ... 6	PF000-0600		
						18		0 ... 10	PF000-1000		
						18		0 ... 16	PF000-1600		
						22		0 ... 20	PF000-2000		
						40		0 ... 30	PF000-3000		
						50		0 ... 40	PF000-4000		
						60		0 ... 50	PF000-5000		

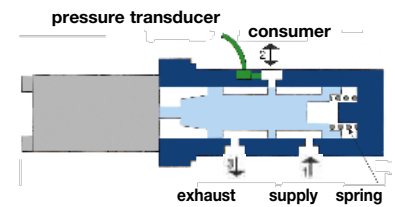


Special options, add the appropriate letter or number

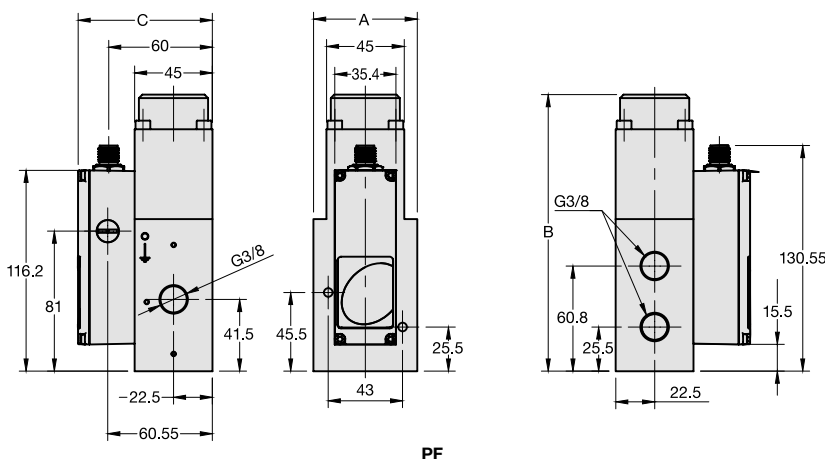
command signal	0-20 mA	PF..1-....
	4-20 mA	PF..2-....
monitor signal	0-10 V	PF.1.-....
	4-20 mA	PF.3.-....
deviant pressure range	indicate on order	PF...-XX..
for oxygen	specialy cleaned, FKM elastomers	PF...-...15

Accessories, enclosed

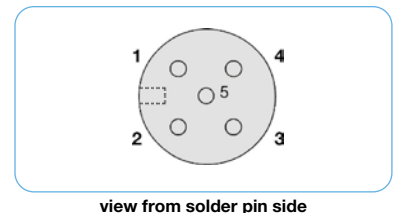
PR adapter	with USB plug and 1 m cable	PDUSB
software	basic version "light"	PDSOFT1²
coupling socket	M12x1, 5-pin, with 2 m cable, 5 x 0.25	angular KM12-C5-2
	M12x1, 5-pin, with 5 m cable, 6 x 0.25	angular KM12-C5-5



The position of the slide is continuously shifting according to command signal and pressure change at the outlet. Thereby a constant outlet pressure is achieved.



*1 at 6 bar supply pressure and 5 bar outlet pressure
*2 You do not need any software to use the valve!



pin	description	5-wire cable (2m)
1	24 V supply voltage	brown
2	analog input signal	white
3	supply ground	blue
4	analog ground	black
5	digital pressure switch signal	grey
housing	EMC shield	shield

connection diagram

* Product group

PDF CAD
www.aircom.net



Order example:
PF000-0600